

ULTRA-A

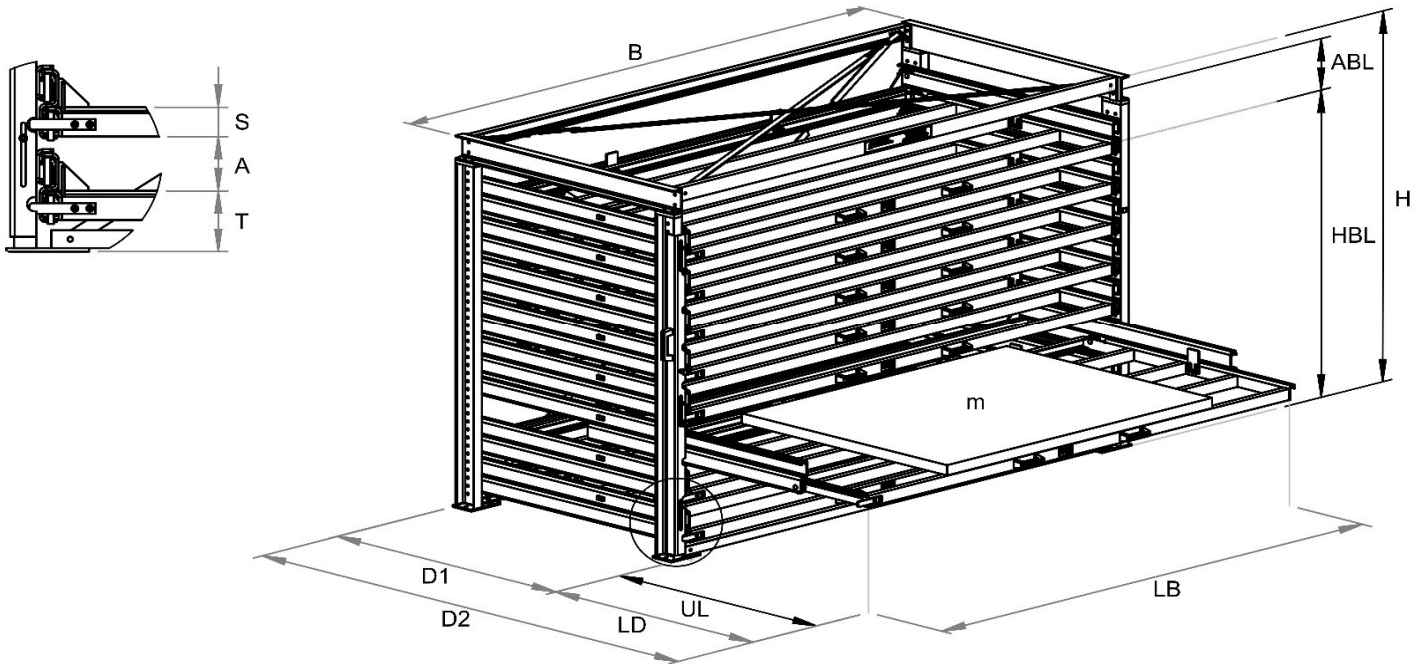
ULTRA-A UL=65%

	m	A	HBL	ABL
13L	1000	76	1857	233
12L	1000	76	1716	374
11L	1000	76	1575	515
10L	1000	123	1857	233
9L	1000	123	1669	421
8L	1000	170	1810	280
7L	1000	217	1857	233
6L	1000	264	1810	280
5L	1000	311	1669	421
4L	1000	405	1575	515
3L	1000	593	1481	609
2L	1000	922	1152	938

LB	LD	H	B	D1	UL	D2	T	S
2200	1050	2170	2470	1150	685	1890	165	65
2700	1300	2170	2970	1400	845	2300	165	65
3200	1550	2170	3470	1650	1010	2715	165	65
4200	1550	2170	4470	1650	1010	2715	165	65

TYPE DESCRIPTION, TYPE AANDUIDING, TYPBEZEICHNUNG, TYPE INDICATION

ULTRA - 8L100A - 320 X 155



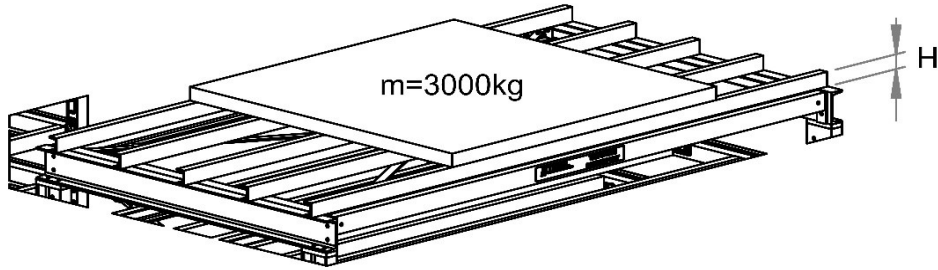
ULTRA-B

ULTRA-B UL=100%				
	m	A	HBL	ABL
8L	1000	170	1795	295
7L	1000	217	1842	248
6L	1000	264	1795	295
5L	1000	311	1654	436
4L	1000	405	1560	530
3L	1000	593	1466	624
2L	1000	922	1137	953

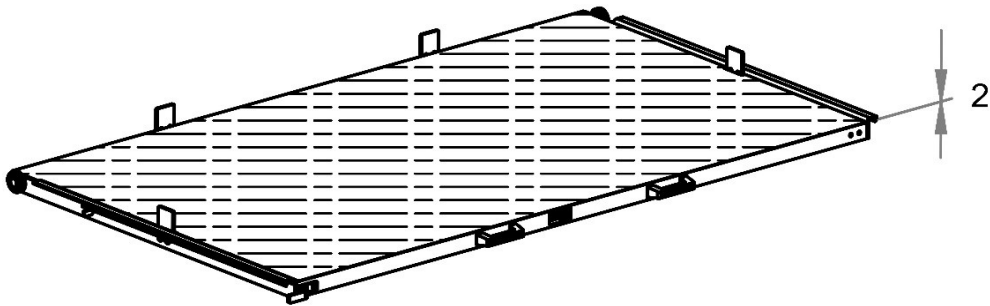
LB	LD	H	B	D1	UL	D2	T	S
2200	1050	2170	2470	1150	1050	2255	149	65
2700	1300	2170	2970	1400	1300	2755	149	65
3200	1550	2170	3470	1650	1550	3255	149	65
4200	1550	2170	4470	1650	1550	3255	149	65

TYPE DESCRIPTION, TYPE AANDUIDING, TYPBEZEICHNUNG, TYPE INDICATION

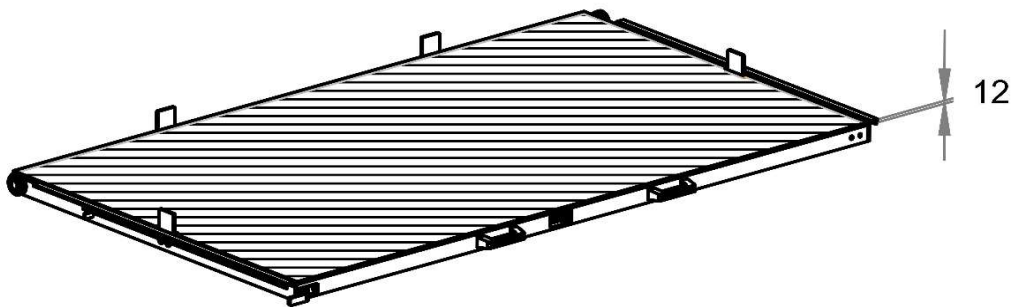
ULTRA - 8L100B - 320 X 155



	m	H
ULTRA-TOP	3000	100



	H
ULTRA-S	2



	H
ULTRA-H	12